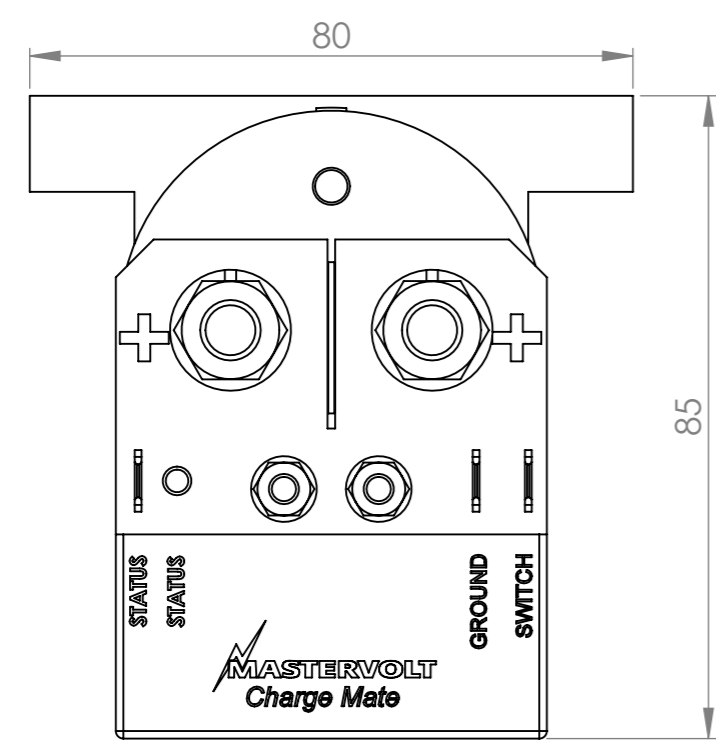
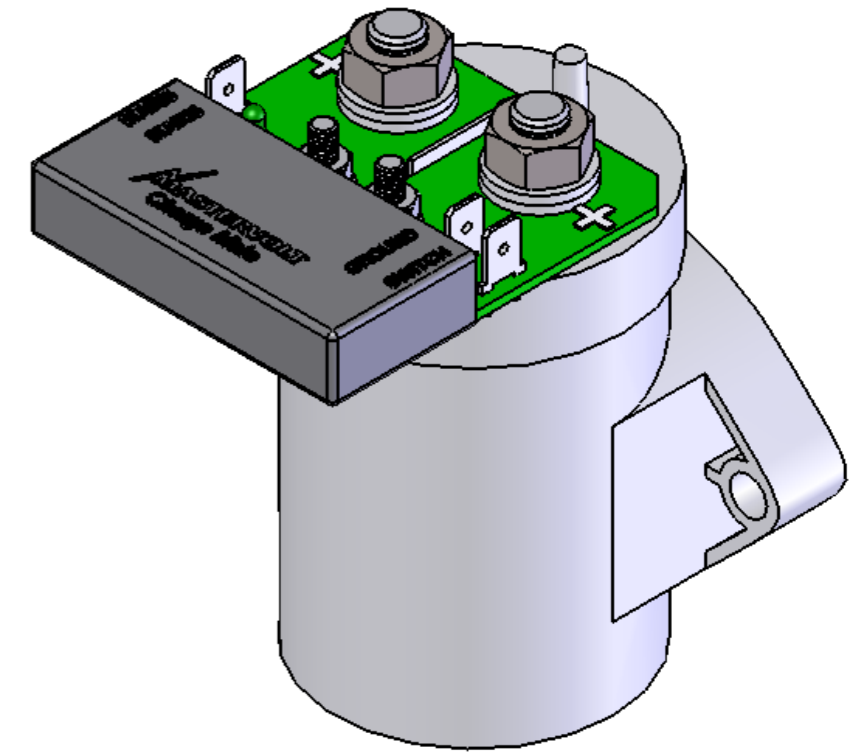
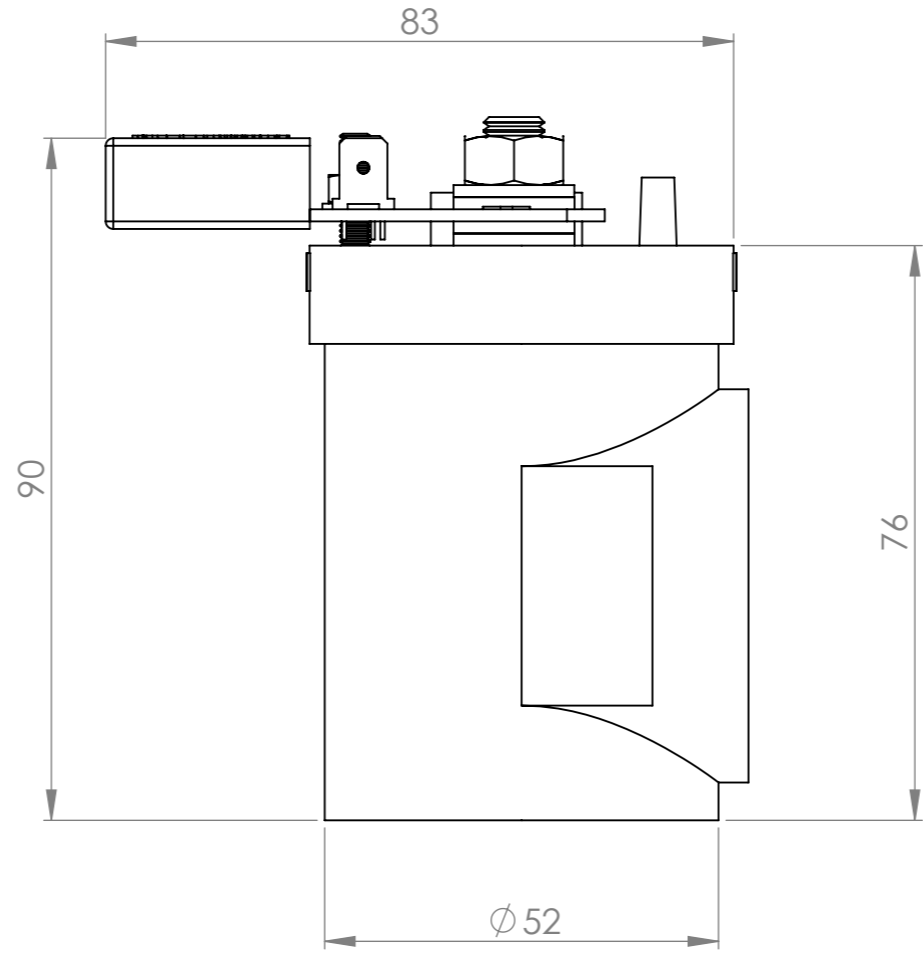
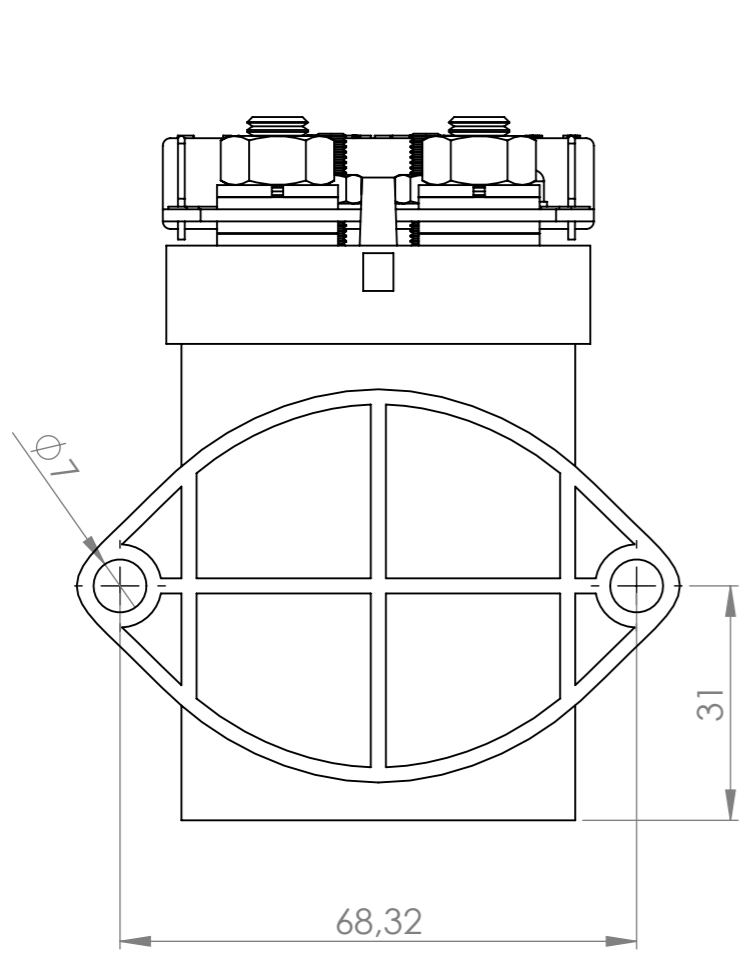



REVISIONS				
ZONE	REV.	DESCRIPTION	DATE	APPROVED



Unless otherwise specified. Dimensions are in mm Tolerances: - Linear: ± 0.2mm - Angular: ± 0.5°		Finish:	Debur and break sharp edges.	Status: released	Revision 0
<i>DO NOT SCALE DRAWING</i>				Title Charge Mate Dimensions	
Drawn	H. F. Dekker	Signature	Date	Dwg. nr.: M1978-0	Delta Part No.:
Chk'd			20061219	Project: Chatge mate	
Appr'd					
Mfg					
Q.A					
			Material:	A3	
			Weight: -		
Copyright by Mastervolt BV No part of this drawing may be reproduced or distributed in any form or by any means, or stored in a data base or retrieval system without the prior written permission of Mastervolt.				SCALE:1:1	SHEET 1 OF 1